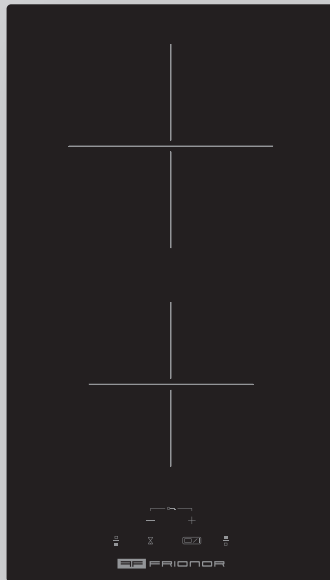




# FRIONOR

EN FR



**DVS2500**

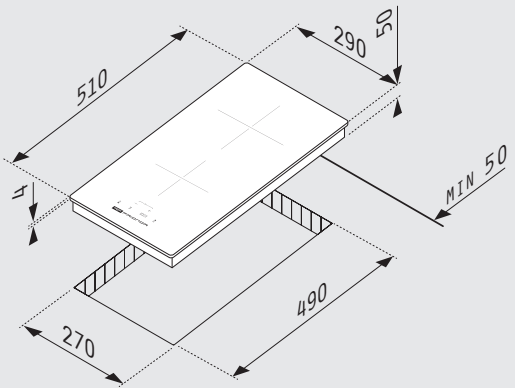
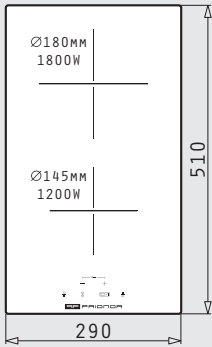
**ENGLISH | VITROCERAMIC COOKTOP**

**Use and maintenance instructions & Guarantee**

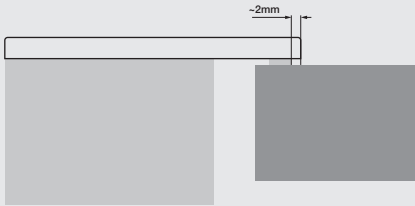
**FRANÇAIS | TABLE VITROCERAMIQUE**

**Instructions d'utilisation et d'entretien & Garantie**

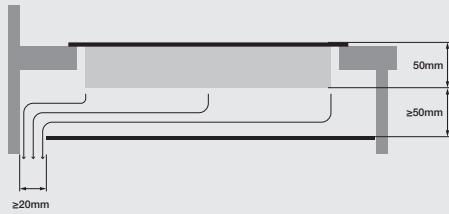
IMAGE 1



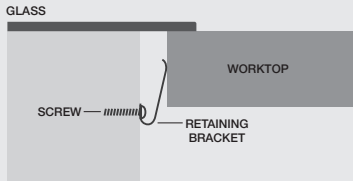
**IMAGE 2**



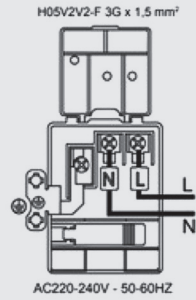
**IMAGE 3**



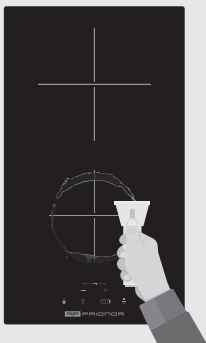
**IMAGE 4**



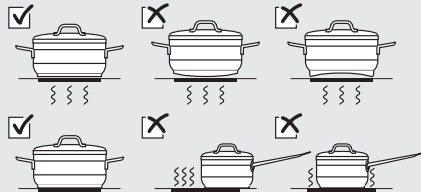
**IMAGE 5**



**IMAGE 6**



**IMAGE 7**



Carefully read the contents of this leaflet since it provides important instructions regarding safety of installation, operation and maintenance. Keep the leaflet for future reference. All the operations relating to installation (electrical connections) must be carried out by specialised personnel in accordance with current regulations. This appliance complies with electromagnetic safety standards.

## SAFETY

### 1. IMPORTANT INSTRUCTIONS

1. Use the cooktop only in household-type situations for the preparation and warming of food. All other types of use void the guarantee.
2. **WARNING:** The appliance and its accessible parts become hot during use. Care should be taken to avoid touching heating elements. Children less than 8 years of age shall be kept away unless continuously supervised.
3. Individuals who are incapable of using the appliance safely because of their physical, sensory or mental capabilities or their lack of experience or knowledge must not use this appliance without supervision or instruction by a responsible person.
4. Children shall not play with the appliance.
5. Children under 8 years of age must be kept away from the cooktop unless they are under constant supervision.
6. This appliance can be used by children aged from 8 years and above and persons with reduced physical, sensory or mental capabilities or lack of experience and knowledge if they have been given supervision or instruction concerning use of the appliance in a safe way and understand the hazards involved.
7. Cleaning and user maintenance shall not be made by children without supervision.
8. Installation, repair and maintenance work should only be performed by an authorized service technician. Work by unqualified persons could be dangerous for the user.
9. No combustible materials or products should be placed on this appliance at any time.
10. This appliance is to be properly installed and earthed only by a suitable qualified person.
11. This appliance is to be connected to a circuit which incorporates an isolating switch providing full disconnection from the power supply.
12. Failure to install the appliance correctly could invalidate any warranty or liability claims.
13. Never leave the appliance unattended when in use. Boil over causes smoking and greasy splitters that may ignite.

14. Never use your appliance as a work or storage surface.
15. Never leave any objects or utensils on the appliance as metal objects can heat up.
16. Never use your appliance for warming or heating the room.
17. After use, always turn off the cooking zones and the cooktop as described in this manual.
18. Do not repair or replace any part of the appliance unless specifically recommended in the manual. All other servicing should be done by a qualified technician.
19. Do not place or drop heavy objects on your cooktop.
20. Do not use pans with jagged edges or drag pans across the ceramic glass surface as this can scratch the glass.
21. Handles of saucepans may be hot to touch. Check saucepan handles do not overhang other cooking zones that are on.
22. Keep handles out of reach of children.
23. Failure to follow this advice could result in burns and scalds.

**WARNING:** Unattended cooking on a hob with fat or oil can be dangerous and may result in fire. **NEVER** try to extinguish a fire with water. Switch off the appliance and then cover flame e.g. with a lid or a fire blanket.

### 2. ELECTRICAL SHOCK HAZARD DURING INSTALLATION

- Disconnect the appliance from the main electricity supply before carrying out any work or maintenance on it.
- Connection to a good earth wiring system is essential and mandatory.
- Alteration to the domestic wiring system must only be made by a qualified electrician.
- Failure to follow this advice may result in electrical shock or death.

**WARNING:** The appliance is not intended to be operated by means of an external timer or separate remote-control system cleaner is not to be used.

**WARNING:** If the supply cord of the appliance is damaged, it must be replaced by the manufacturer,

its service agent, or similarly qualified persons in order to avoid a hazard.

### 3. ELECTRICAL SHOCK HAZARD DURING USE & MAINTENANCE

Do not cook on a broken or cracked cooktop. If the cooktop surface is broken or cracked, switch the appliance off immediately at the mains power supply (wall switch) and contact a qualified technician.

**WARNING:** Be very careful as panel edges might be sharp. Failure to use caution could result in injury or cuts.

### 4. DISPOSAL OF OLD ELECTRICAL APPLIANCES



The European Directive 2002/96/EC on Waste Electrical and Electronic Equipment (WEEE), requires that old household electrical appliances must not be disposed of in the normal unsorted municipal waste stream. Old appliances must be collected separately in order to optimize the recovery and recycling of the materials they contain and reduce the impact on human health and the environment. The crossed-out dustbin symbol on the product reminds you of your obligation regarding separated waste collection. Consumers should contact their local public service or their local dealer for more information on the correct disposal of exhausted household appliances.

## INSTALLATION

### 1. INSTRUCTIONS

1. The domestic appliance was built in order to be encased on a work surface, the way it is illustrated in the graph (**image 1**). Predispose sealing material (**image 2**) along the whole perimeter. Lock the domestic appliance into place with 4 clips, screwing at the sides (**image 4**). If the lower part of the appliance after

installation, is accessible via the lower part of the furniture, it is necessary to mount a separating panel keeping in mind the distances indicated (**image 3**).

2. Do not install refrigerators, dishwashers, non-ventilated ovens or washing machines under the appliance.
3. The built-in kitchen units must withstand temperatures of up to 90°C.
4. A gap of at least 90 mm must be allowed between the hob and the side wall, where applicable.
5. It is not recommended that the hob be placed between two side walls but, if this is the case, a gap of at least 200 mm should be left on one side and a gap of 90mm on the other.

### 2. ELECTRICAL CONNECTIONS (image 5)

1. Before making the electrical connections, check that:
  - The system ratings meet the ratings indicated on the identification plate fixed on the lower part of the worktop.
  - The system is fitted with efficient ground wires in accordance with the laws and current standards. Grounding is mandatory by law.
  - The connection to the mains should be done with the appropriate cable and from a specialized technician.
  - If necessary, fit the cooper bridges supplied.
2. Power cord: Type H05 VV-F or higher, determine the required wire cross-section depending on the current rating.
3. A cross-section of < 1,5mm<sup>2</sup> is not permissible.
4. If wishing to make a direct connection to the mains, an omnipolar switch must be installed with a minimum 3mm opening between the contacts and appropriate for the load indicated on the plate and in accordance with current standards (the yellow/green ground conductor must not be disconnected by a switch). When the appliance has been installed, the omnipolar switch must be easily reachable.

## OPERATION

### 1. COOKWARE

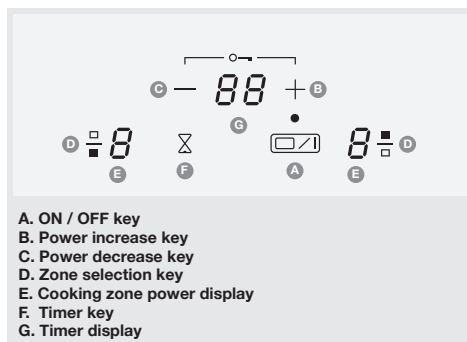
The use of flat-bottomed pots, with a diameter equal to or slightly bigger than the heated area, is recommended. (image 7). Do not use pots that have a rough base, in order to prevent the hob thermal surface from being scratched.

### 2. CONNECTION TO THE MAINS

When cooktop is connected to power supply, a long beep will be heard. All LEDs and displays on the Touch Control will be turned **ON** for 4 seconds. If the power supply goes out and then comes back on, the hob will reset and reconnect as described above.

### 3. CONTROL PANEL

#### 2 Cooking Zones



### 4. SWITCH ON/OFF KEY OF THE HOB

When cooktop is off and unlocked, touching for 1 second the **ON/OFF** key, all heaters will switch on showing 0 power level. 1 short beep will be heard.

When cooktop is off, unlocked and indicating residual heat 'H', when **ON/OFF** key is touched properly, 2 short beeps will be heard, and 'H' residual heat indication will be seen.

When cooktop is on and unlocked, touching **ON/OFF** key as required, all cooking zones will be switched off. 4 short beeps will be heard.

When cooktop is off and locked, touching **ON/OFF**, key as required, will not have any effect.

### 5. SWITCH ON/OFF A HEATER ZONE

If any cooking zone remains in level '0' for 10 seconds, then it will switch off automatically and 4 beeping sounds will be heard.

If a cooking zone, whose display indicates residual heat, is switched **ON**, then its indication will change to '0' level. If lock function is active, you cannot switch **ON** any zone.

If there is residual heat indication on a cooking zone which is **OFF**, then 'H' will continue to be displayed until the zone is cooled down.

Even when lock function is active, you can still switch **OFF** a zone.

If only one cooking zone is active and this one is switched off, 4 short beeping sounds will be heard indicating that the entire cooktop is **OFF**.

### 6. SELECTING A ZONE

Touching the heating zone selection control, a digital indicator next to the key will show '0' and a short beeps will be heard.

### 7. INCREASE / DECREASE POWER LEVEL

With a short press on '+' or '-' keys, Increase or decrease power in the selected zones digit.

Access directly to 'P' from '0' level by pressing - key.

With continuous press of "+" or "-" key, power level increases/decreases continuously.

With continues pressing of "+" key, the power level stops at level 9, and for a higher power another short press of "+" key is needed. No beeping sound is heard with continuous power level increase/decrease.

Once the power reaches level 'P', pressing '+' key again does not change power level to '0'.

When a hot cooking zone's power is leveled down to '0', then after 10 seconds, the indication 'H' will appear on its display.

### 8. CHILD LOCK OPTION

By pressing '+' and '-' keys the letter 'L' will appears for 2 seconds, 2 beeping sounds will be heard and the cooktop will be locked.

With cooktop locked, only **OFF** functions will be possible. General **OFF** key.

With cooktop locked, touching '+' and '-' keys, will unlock the cooktop and all associated LEDs will turn on and off. Then, cooktop will be completely operative again.

## 9. OVERFLOW SECURITY

When something (an object or a liquid) is touching any key for more than 5 seconds, 2 short beeps and 1 long beep will be heard and will continue to be heard every 30 seconds, as long as the keys continue to be pressed by this object or liquid. Cooktop will turn OFF. The symbol "—" will keep blinking while this matter persists.

## 10. TIMER

A cooking zone must be selected, and its power level must be greater than '0'.

Timer function can be activated by touching the timer key.

By pressing '+' or '-' keys, the user can adjust the time.

By pressing the timer key continuously, the timer will be deactivated.

If timer '+' or '-' keys are pressed continuously, the user can quick-set the timer.

Maximum time is 99 minutes.

When setting the time, it is possible to go from «00» to «99» with '-' key, and from «99» to «00» with '+' key.

When the time elapses, the device stops the operation of the cooking zone and the residual heat symbol 'H' appears.

It is possible to adjust the timer, while it is already counting down.

Power of timed zone can be modified without any consequences on the timer programming.

Last minute will be displayed in seconds.

By pressing the Timer key without selecting any cooking zone, nothing happens.

If multiple zones are timed, the smallest remaining time is displayed, and the decimal point is displayed in the corresponding zone.

## 11. POWER LIMIT

This hob has a power limit of 2500W.

If the user wishes to operate both zones at the same time, then this can be done by putting each heater up to level 7.

If both heaters are set at power level 7, then you cannot increase the power level of any heater.

If a heater is set above level 7 and the user activates the other heater in any level, then the first heater automatically decrease to level 7.

## 12. SAFETY SWITCH

The appliance has a safety switch that automatically switches off the cooking zones when they have been operating for a certain amount of time at a given power level.

POWER LEVEL	OPERATING TIME LIMIT (HOURS)
1	10
2 - 3	5
4	4
5	3
6 - 7 - 8	2
9	1

## 13. HEAT SETTINGS

LEVEL	SUITABLE FOR
1 - 2	Delicate warming for small amounts of food, melting chocolate, butter, and foods that burn quickly, gentle simmering, slow warming
3 - 4	Reheating, rapid simmering, cooking rice
5 - 6	Pancakes
7 - 8	Sauteing, cooking pasta
9	Stir-frying, searing, bringing soup to the boil, boiling water

## TROUBLESHOOTING

DISPLAY	FAULT	ACTION
F0	Touch control software error.	If error has occurred disconnected and connect again the cooktop to the power supply. If error persist, call after-sales service. If error appears suddenly in a normal operation, call after-sales service.
Fc	Touch control zone is too hot and has turned off all the heaters.	Wait until temperature goes down. Cooktop will automatically recovered when temperature reaches a normal value.
Ft / FE	Touch control temperature sensor can be damaged.	Wait until temperature goes down. If message persist when temperature reaches an environment value, call after-sales service.
Fb	Excessive sensitivity on any key.	See if cooktop is mounted correctly. Make sure that the keys touch correctly the glass surface.
FU / FJ	Security keyboard error.	This error is a keyboard auto-check. It disappears when auto check return to secure value. If error persist, call after-sales service.
FA / FC / Fd	Security software error.	This error is a software auto-check. It disappears when auto-check return to secure value. If error persist, call after-sale service.
Fr	Relays security error	Any relay driver can have any problemn. Remove cooktop from the power supply, wait a minute and switch on again. If error persist, call after-sale service.

## CLEANING & MAINTENANCE

Remove any residues of food and drops of grease from the cooking surface by using the special scraper supplied on request (**Figure 6**).

Clean the heated area as thoroughly as possible using suitable products, and a cloth/paper, then rinse with water and dry with a clean cloth.

Using the special scraper immediately remove any fragments of aluminium and plastic material that have unintentionally melted on the heated cooking area, or residues of sugar or food with a high sugar content.

In this way, any damage to the cooktop surface can be prevented. Under no circumstances should abrasive sponges, or corrosive chemical detergents, such as oven sprays or stain removers, be used.

**WARNING:** Steam cleaners must not be used.



## GUARANTEE

Dear Customer,

Congratulations on purchasing yet another top quality FRONOR product. In order to guarantee the premium quality standards of this product, the finest materials were used and quality control monitoring was carried out at every stage of the production process. To ensure you obtain a lifetime of good service, please read the product specifications and follow all advice in the instruction manual carefully.

### ATTENTION

This guarantee card must be completed and kept in good condition by the purchaser so as to be shown on demand to a qualified technician. The following guarantee is valid for 24 months. If defective appliance operation possibly resulting from manufacturing defects is established and acknowledged within the guarantee period, the company will undertake to restore the appliance to proper working order in accordance with manufacturing specifications. The appliance shall be repaired or any faulty part thereof will be replaced at no cost to the consumer for repair work, spare parts or transportation of the appliance to company laboratories.

### GUARANTEE TERMS

1. The appliance must be correctly installed by an authorised technician, in accordance with the installation instructions and the information given in the appliance specifications table and local restrictions.
2. This appliance is for domestic use only. All work relating to installation and connection of the appliance to mains power, operation and routine maintenance must be carried out in full compliance with the instructions contained in the Installation and Operation Manual.
3. Purchase date is proved on production of a verified purchase voucher (invoice or retail sales receipt), on which the purchase date, dealer name and appliance identity particulars (type, product manufacturing number) must be clearly visible.
4. The appliance must not be repaired, serviced, altered, disassembled or tampered with by an unauthorised technician.
5. Any replaced faulty appliance or replaced part shall become the property of the company. The guarantee period shall not be extended as a result of repairs.
6. Replacement of the appliance shall only be approved by the company in cases where proper reparation of the damage proves impossible.

### GUARANTEE RESTRICTIONS

The guarantee does not cover:

1. Technician callout for damage resulting from incorrect transportation, installation or operation, negligence or use of non-approved parts.
2. Detachable parts made of metal, and any other parts requiring replacement on account of wear and tear.
3. Damage resulting from negligence or carelessness.
4. Damage resulting from failure to follow appliance operation instructions.
5. Damage caused by operation of the appliance other than as indicated.

### APPLIANCE TYPE - PRODUCTION PARTICULARS

For your guarantee to be valid, it is essential that you record the product serial number.



Customer Name

Product Purchase Date

Product Serial Number

Store of Purchase

**NORD INOX**

151 Rue Simon Volland  
59832 Lambersart  
FRANCE

Veillez lire attentivement le contenu de ce document car il contient des informations importantes concernant l'installation, l'utilisation et l'entretien en toute sécurité de l'appareil. Veillez conserver ce manuel en vue d'une utilisation ultérieure. Toutes les opérations relatives à l'installation (raccordements électriques) doivent être exécutées par un professionnel qualifié, conformément aux règlements en vigueur. Cet appareil est conforme aux normes de compatibilité électromagnétique.

## SÉCURITÉ

### 1. INSTRUCTIONS IMPORTANTES

1. La plaque doit toujours être utilisée dans le cadre d'un usage domestique normal, à savoir la préparation et le réchauffement de plats. Tout autre usage entre en violation avec la garantie.
2. **MISE EN GARDE:** Cet appareil et ses parties accessibles deviennent chauds pendant leur utilisation. Il convient de veiller à ne pas toucher les éléments chauffants. Il convient de maintenir à distance les enfants de moins de 8 ans, à moins qu'ils ne soient sous une surveillance continue.
3. Les personnes dont les capacités physiques, mentales ou sensorielles sont déficientes ou les personnes ne disposant pas des connaissances ou de l'expérience correspondante ou les personnes qui ne sont pas en mesure d'utiliser en toute sécurité la plaque de cuisson ne doivent pas l'utiliser sans la surveillance ou les conseils d'une personne responsable.
4. Les enfants ne doivent pas jouer avec l'appareil.
5. Garder les enfants âgés de moins de 8 ans à distance de la plaque de cuisson, sauf s'ils sont surveillés en continu par un adulte.
6. Cet appareil peut être utilisé par des enfants à partir de 8 ans et par des personnes ayant des capacités physiques, sensorielles ou mentales réduites ou un manque d'expérience et de connaissances à condition qu'elles aient été placées sous surveillance ou qu'elles aient reçu des instructions concernant l'utilisation de l'appareil en toute sécurité et qu'elles comprennent les dangers encourus.
7. Le nettoyage et l'entretien par l'utilisateur ne doivent pas être effectués par des enfants, sans surveillance.
8. Les opérations d'installation, de maintenance et de réparation doivent être exécutées par un professionnel qualifié, conformément aux instructions du présent manuel. Les opérations ou réparations qui ne sont pas exécutées correctement peuvent mettre gravement en danger l'utilisateur.
9. Les matériaux ou objets inflammables ne doivent jamais être placés sur l'appareil.
10. L'appareil doit être installé et raccordé à la masse correctement et uniquement par un technicien qualifié.
11. Cet appareil doit être raccordé à un circuit électrique doté d'un commutateur d'isolation permettant la déconnexion complète du réseau électrique.

12. Le non respect des instructions d'installation pourrait entraîner la nullité de la garantie.
13. Ne jamais laisser l'appareil sans surveillance pendant son utilisation. Un débordement pourrait provoquer une fumée et les liquides gras peuvent prendre feu.
14. Ne jamais utiliser l'appareil comme plan de travail ou espace de rangement.
15. Ne jamais laisser des objets ou des couvercles sur la surface car les objets métalliques risquent de chauffer.
16. Ne jamais utiliser l'appareil pour réchauffer la pièce.
17. Toujours désactiver les zones chauffantes et l'appareil après utilisation conformément aux instructions du présent manuel.
18. Ne pas réparer et ne pas remplacer une quelconque partie de l'appareil, sauf si cela est clairement indiqué dans le présent manuel. Toutes les opérations doivent être exécutées par un technicien qualifié.
19. Ne pas placer d'objets lourds sur la plaque.
20. Ne pas utiliser des ustensiles de cuisson avec une semelle extérieure crantée et ne pas glisser les ustensiles sur la surface en verre sous risque d'endommager le verre.
21. Les poignées des casseroles pourraient devenir brûlantes. Assurez-vous que la poignée ne se trouve pas au-dessus d'une autre zone chauffante.
22. Assurez-vous que les enfants ne puissent pas atteindre la poignée.
23. Le non respect des conseils susmentionnés pourrait entraîner la nullité de la garantie.

**MISE EN GARDE:** Laisser cuire des aliments sans surveillance sur une table de cuisson en utilisant des matières grasses ou de l'huile peut être dangereux et déclencher un incendie. Ne **JAMAIS** essayer d'éteindre un incendie avec de l'eau, mais arrêter l'appareil puis couvrir les flammes par exemple avec un couvercle ou une couverture anti-feu.

### 2. RISQUE D'ÉLECTROCUTION PENDANT L'INSTALLATION

- Débrancher l'appareil du réseau électrique avant toute opération.
- Une condition fondamentale et impérative est le raccordement à un réseau de masse en cours de fonctionnement.
- Toute éventuelle modification du réseau électrique interne doit être effectuée uniquement par un professionnel qualifié.
- Le non respect des conseils susmentionnés pourrait entraîner une électrocution, voire la mort.

**MISE EN GARDE:** L'appareil n'est pas destiné à être mis en fonctionnement au myen d'une minuterie externe ou d'un système de commande à distance séparé.

**MISE EN GARDE:** Si le câble d'alimentation est endommagé, il doit être remplacé par le fabricant, son service après vente ou des personnes de qualification similaire afin d'éviter un danger.

### 3. RISQUE DE CHOC ELECTRIQUE PENDANT L'UTILISATION ET L'ENTRETIEN

Ne pas utiliser la plaque si sa surface est cassée ou fêlée. Si la surface est cassée ou fêlée, débrancher immédiatement l'appareil de l'alimentation secteur (interrupteur mural) ou contacter un technicien qualifié.

**MISE EN GARDE:** Attention aux bords tranchants. Toute manipulation imprudente pourrait entraîner des blessures ou des coupures.

### 4. ÉLIMINATION DES APPAREILS ÉLECTRIQUES MÉNAGERS USAGÉS



La directive de l'Union Européenne 2002/96/CE relative aux déchets d'équipements électriques et électroniques (DEEE) prévoit que les appareils électriques ménagers ne doivent pas être jetés comme les déchets solides urbains. Les appareils usagés doivent être collectés séparément, afin d'optimiser la récupération et le recyclage des matériaux contenus et de réduire les éventuels impacts sur la santé et l'environnement. Le symbole représentant le schéma du bac à ordures est indiqué sur tous les produits pour rappeler l'obligation d'une collecte sélective. Pour plus d'informations concernant l'élimination appropriée des appareils électriques ménagers, les propriétaires de ces appareils peuvent contacter les autorités locales ou le vendeur de l'appareil.

## INSTALLATION

### 1. INSTRUCTIONS

1. Le présent appareil ménager est prévu pour être installé sur un plan de travail, comme représenté sur le schéma (figure 1). Appliquez

le matériel d'étanchéité (figure 2) sur toute la longueur du périmètre. Placez la plaque sur le plan de travail et fixez-la en vissant quatre supports sur les côtés de la plaque (figure 4). Une fois l'installation terminée, si la partie inférieure de l'appareil est accessible par le dessous du meuble, il est nécessaire de poser une cloison, en respectant les écarts prescrits (figure 3).

2. Ne placez pas sous la plaque des fours un lave-vaisselle ou un lave-linge sans ventilation.
3. Les meubles encastrés doivent résister à des températures pouvant atteindre 90°C.
4. Vous devez laisser un jeu de 90 mm entre la plaque et la paroi latérale, le cas échéant.
5. Il est déconseillé de placer la plaque entre deux parois latérales, néanmoins, si tel est le cas, il convient de laisser un jeu de 200 mm d'un côté et de 90 mm de l'autre.

### 2. RACCORDEMENTS ÉLECTRIQUES (figure 5)

1. Avant de procéder aux raccordements électriques, veuillez vérifier d'abord que:
  - Les valeurs nominales du système correspondent bien aux valeurs nominales mentionnées sur le tableau des spécifications techniques sur le revers du plan de travail.
  - Le système est pourvu des câbles de mise à la terre appropriés, conformément à la législation et aux normes en vigueur. La mise à la terre est exigée par la loi.
  - Le raccordement au secteur doit être effectué avec le câble approprié et par un technicien spécialisé.
  - Si nécessaire, monter les ponts en cuivre fournis.
2. Câble de raccordement au secteur : De type H05 VV-F ou supérieur, déterminez le diamètre requis des brins conformément à la tension du courant.
3. Il est interdit d'utiliser un diamètre < 1,5mm<sup>2</sup>.
4. Si vous souhaitez un raccordement direct au secteur, il convient d'installer un commutateur multipôle avec un écart minimum de 3 mm entre les contacts, compatible avec la tension du courant indiquée sur le tableau et respectant les normes en vigueur (le conducteur jaune/vert de masse ne doit pas être déconnecté par un interrupteur). Après l'installation de l'appareil, l'interrupteur multipôle doit être facilement accessible.

## FONCTIONNEMENT

### 1. USTENSILES DE CUISINE

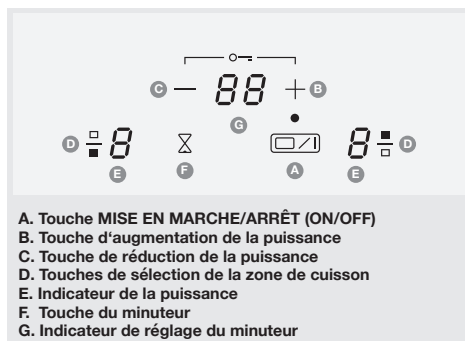
Nous vous conseillons d'utiliser des ustensiles à fond plat et de diamètre égal ou légèrement supérieur à celui de la zone de cuisson (figure 7). N'utilisez pas d'ustensiles dont la semelle est rêche pour éviter de rayer la surface thermique de la plaque.

### 2. RACCORDEMENT ÉLECTRIQUE

Un bruit sonore se produit lors du raccordement de la plaque au secteur. Toutes les indicateurs/indicateurs lumineux seront activés sur le panneau de commande pendant 4 secondes. En cas de coupure de courant et de reprise de courant, la plaque procédera à un redémarrage et se reconnectera comme décrit ci-dessus.

### 3. PANNEAU DE COMMANDE

#### Deux zones de cuisson



### 4. ACTIVATION/ DÉSACTIVATION DE LA PLAQUE

Lorsque l'appareil est désactivé et déverrouillé, appuyez pendant une seconde sur la touche **ON/OFF** pour activer toutes les zones qui afficheront le symbole '0'. Un son se fera entendre.

Lorsque l'appareil est désactivé, déverrouillé et que l'indicateur de chaleur restante 'H' est présent, si vous appuyez sur la touche **ON/OFF** vous entendrez deux sons et l'indicateur de chaleur restante 'H' s'affichera.

Lorsque l'appareil est activé et déverrouillé, appuyez sur la touche **ON/OFF** pour désactiver toutes les zones de cuisson. Vous entendrez 4 sons.

Lorsque l'appareil est désactivé et verrouillé, rien ne se produira si vous appuyez sur la touche **ON/OFF**.

### 5. ACTIVATION/ DÉSACTIVATION D'UNE ZONE DE CUISSON

Si l'indicateur d'une zone de cuisson reste à la position '0' pendant 10 secondes, celle-ci se désactivera automatiquement en produisant 4 sons.

En cas d'activation d'une zone de cuisson pour laquelle l'indicateur de chaleur restante est affiché, l'indicateur affichera '0'. Il est impossible d'activer une zone de cuisson si le verrouillage de l'appareil est activé.

Si l'appareil est pourvu de l'indicateur de chaleur restante pour une zone de cuisson désactivée, le symbole 'H' sera affiché jusqu'au refroidissement de la zone.

Vous pouvez désactiver l'appareil même si la fonction de verrouillage est activée.

Si vous n'avez qu'une seule zone de cuisson activée et que vous l'éteignez, vous entendrez 4 sons et l'appareil sera entièrement désactivé.

### 6. SÉLECTION DE ZONE DE CUISSON

Sélectionnez la zone de cuisson souhaitée, vous entendrez un son et l'indicateur numérique avec le symbole '0' s'affichera à l'emplacement de l'indicateur du niveau de puissance.

### 7. AUGMENTATION/ RÉDUCTION DU NIVEAU DE PUISSANCE

Appuyez sur '+' ou '-' pour augmenter ou réduire le niveau de puissance de chaque zone.

Pour passer rapidement de '0' à 'P', appuyez sur la touche '-'.

En appuyant sur le '+' de manière continue la puissance s'arrête au '9'.

Pour atteindre un niveau supérieur, veuillez ré-appuyer sur la touche '+'. L'augmentation/ réduction rapide se déroule sans indicateur sonore.

Lorsque la puissance est au niveau 'P', appuyer sur la touche '+' ne permet pas de passer à '0'.

Si vous passez une zone chaude au niveau '0', après 10 secondes l'indicateur 'H' s'affichera.

### 8. SÉLECTION DE VERROUILLAGE/ SÉCURITÉ ENFANTS

Si vous appuyez sur les touches '+' et '-', l'indicateur 'L' s'affichera pendant 2 secondes. Vous entendrez deux sons et l'appareil sera verrouillé. Une fois l'appareil verrouillé, seules les fonctions de fermeture sont disponibles. C'est-à-dire, l'extinction complète de l'appareil.

Pour déverrouiller l'appareil, appuyez sur les touches '+' et '-', l'appareil se débloquera et les indicateurs correspondants clignoteront. L'appareil est désormais en état de fonctionnement.

## 9. SÉCURITÉ ANTI-DÉBORDEMENT

Si une matière liquide ou solide quelconque recouvre les touches pendant plus de 5 secondes, 2 sons brefs et un son plus long se feront entendre et continueront à se produire toutes les 30 secondes tant que les touches restent recouvertes. La plaque s'éteindra et le symbole '-' continuera à clignoter tant que les touches restent recouvertes.

## 10. MINUTEUR

Sélectionnez une zone de cuisson et un niveau de puissance supérieur à '0'.

Le minuteur peut être activé en appuyant sur la touche du minuteur.

La durée souhaitée peut être sélectionnée en appuyant sur les touches '+' ou '-'. Pour désactiver le minuteur, appuyez de manière prolongée sur la touche du minuteur.

Vous pouvez régler rapidement le minuteur en appuyant de manière continue sur les touches '+' ou '-'.

La durée maximale de réglage du minuteur est de 99 minutes. Vous pouvez augmenter la durée de '00' à '99' en appuyant sur la touche '-' ou réduire la durée de '99' à '00' en appuyant sur '+'.

Une fois le délai écoulé, l'appareil interrompt l'opération de la zone de cuisson et le symbole indiquant la présence de chaleur résiduelle 'H' est affiché.

Il est possible de modifier le réglage du minuteur pendant son fonctionnement.

Vous pouvez également modifier le niveau de puissance de la zone alors que le minuteur est programmé. Lors de la dernière minute, le décompte est affiché en secondes.

Rien ne se produira si vous appuyez sur la touche du minuteur sans avoir sélectionné de zone de cuisson au préalable.

Lorsque plusieurs zones de cuisson sont programmées, le temps restant le plus court sera celui affiché avec un point rouge à côté de la zone de cuisson.

## 11. PUISSANCE LIMITE

Cette plaque de cuisson présente une limite de puissance de 2500 W.

Si l'utilisateur souhaite faire opérer les deux zones en même temps, cela peut se faire en réglant chacune des zones de cuisson sur 7, au maximum.

Si les deux zones sont réglées sur 7, vous ne pourrez augmenter la puissance d'aucune des deux.

Si une zone est réglée sur un niveau supérieur à 7 et que l'utilisateur active l'autre zone de cuisson en la réglant sur un niveau quelconque, la première zone basculera automatiquement vers le niveau 7.

## 12. INTERRUPTEUR DE SÉCURITÉ

L'appareil interrompt automatiquement les zones de cuisson lorsque celles-ci fonctionnent pendant une durée déterminée à une puissance précise.

DES NIVEAUX DE PUISSANCE	TEMPS LIMITE DE FONCTIONNEMENT (HEURES)
1	10
2 - 3	5
4	4
5	3
6 - 7 - 8	2
9	1

## 13. REGLAGE DE LA PUISSANCE

NIVEAUX	NIVEAUX APPROPRIÉS POUR
1 - 2	Réchauffement basse température de petites quantités d'aliments, de chocolat à faire fondre, de beurre et d'aliments qui brûlent facilement, cuisson basse température à la poêle, réchauffement lent.
3 - 4	Réchauffement, cuisson à la poêle rapide, cuisson de riz.
5 - 6	Crêpes et pancakes.
7 - 8	Sautés, cuisson de pâtes
9	Friture, cuisson, soupes, eau bouillante.

## INDICATIONS DE PANNE ET RÉOLUTION DE PROBLÈMES

DISPLAY	FAULT	ACTION
F0	Panne électronique.	En cas d'indication de panne électronique, débranchez et rebranchez la plaque au secteur. Si la panne persiste, veuillez contacter le service clientèle. Si l'indicateur de panne s'allume pendant le fonctionnement, veuillez contacter le service clientèle.
Fc	Surchauffe de la partie électronique et désactivation de toutes les zones de cuisson.	Attendez que l'appareil refroidisse. La plaque se remettra automatiquement en fonctionnement lorsque la température reviendra à une valeur normale.
Ft / FE	Capteur de température éventuellement endommagé.	Attendez que l'appareil refroidisse. Si l'indicateur de panne persiste même quand la température a atteint la température ambiante, veuillez contacter le service clientèle.
Fb	Sensibilité excessive de n'importe quelle touche.	Vérifiez que la base a bien été installée. Assurez-vous que les touches entrent correctement en contact avec la surface de verre.
FU / FJ	Panne du clavier de sécurité.	Cette panne relève d'une autovérification du clavier. Cette indication disparaîtra dès que l'autovérification revient à une valeur de sécurité. Si l'indicateur de panne persiste, veuillez contacter le service clientèle.
FA / FC / Fd	Panne du logiciel de sécurité.	Cette panne relève d'une autovérification du logiciel. Cette indication disparaîtra dès que l'autovérification revient à une valeur de sécurité. Si l'indicateur de panne persiste, veuillez contacter le service clientèle.
Fr	Panne au niveau du relais de sécurité.	Un relais présente une défaillance. Débranchez et rebranchez la plaque au secteur. Si l'indicateur de panne persiste, veuillez contacter le service clientèle.

## NETTOYAGE ET ENTRETIEN

Retirez toutes les matières grasses et résidus alimentaires de la surface de cuisson à l'aide d'une raclette spéciale, fournie sur commande (**figure 6**).

Nettoyez la surface chauffante autant que possible à l'aide des produits appropriés et un chiffon/papier cuisine. Ensuite, rincez la avec de l'eau et essuyez avec un chiffon propre.

A l'aide d'une raclette spéciale céramique (non fournie avec l'appareil), éloignez immédiatement les résidus d'aluminium ou de plastique qui

auraient éventuellement fondu sur la surface chauffante et d'éventuels résidus de sucre ou d'aliments ayant une haute teneur en sucres.

De cette façon, il est possible de prévenir l'usure de la surface de la plaque. Il ne faut en aucun cas utiliser d'éponges à gratter ou de produits chimiques abrasifs, tels que les sprays pour nettoyer le four ou des produits pour éliminer les tâches.

**ATTENTION:** Ne pas utiliser d'appareil de nettoyage à vapeur.

## GARANTIE

Cher client,

Félicitations pour l'acquisition d'un nouveau produit FRIONOR de haute qualité. Afin d'assurer la qualité impeccable de ce produit, nous avons utilisé des matériaux remarquables et effectué des contrôles à toutes les étapes de la procédure de fabrication. Afin de garantir son bon fonctionnement à long terme, veuillez lire attentivement les spécifications du produit et suivre précisément les instructions du mode d'emploi.

### ATTENTION

Cette carte de garantie doit être complétée et conservée en bon état par l'acheteur et devra être présentée lors de la visite du technicien qualifié. Cette garantie est valide pour une durée de 24 mois. Si, au cours de cette période, un fonctionnement défectueux de l'appareil est constaté et reconnu, pouvant résulter d'un défaut de fabrication, la société s'engage à remettre l'appareil en bon état de marche, conformément aux spécifications de fabrication. L'appareil sera réparé ou toute pièce éventuellement défectueuse sera remplacée, sans facturer au consommateur des frais quelconques de main d'œuvre, de réparation, de pièces d'échange ou de transport de l'appareil aux locaux de la société.

### CLAUSES DE GARANTIE

1. L'appareil doit être installé correctement par un technicien qualifié, conformément aux instructions d'installation et aux informations indiquées sur le tableau des spécifications de l'appareil, ainsi que conformément aux contraintes du pays en question.
2. L'appareil est prévu pour un usage exclusivement domestique. Toutes les opérations d'installation et de connexion de l'appareil au secteur doivent être exécutées en suivant strictement les instructions indiquées dans le Manuel (d'utilisation et d'installation) ainsi que toutes les tâches d'utilisation et de maintenance préventive.
3. La date d'achat peut être prouvée en déposant un document d'achat officiel (facture) indiquant la date d'achat, le nom commercial du vendeur et les coordonnées de l'appareil (type, numéro de fabrication du produit).
4. L'appareil ne doit pas être réparé, maintenu, modifié, démonté ou altéré par un technicien non qualifié.
5. Tout appareil ou matériau défectueux remplacé, revient à la propriété de la société, Les réparations ne prolongent pas la durée de la garantie.
6. Le remplacement de l'appareil sera approuvé par la société uniquement au cas où la panne ne peut pas être réparée correctement.

### LIMITATIONS DE LA GARANTIE

La garantie ne couvre pas ce qui suit:

1. La visite du technicien pour un dommage résultant d'une erreur dans le transport, l'installation ou l'usage, d'une négligence ou de l'utilisation de pièces non approuvées.
2. Les pièces détachables métalliques ainsi que tout autre matériau nécessitant un remplacement à cause d'une usure résultant de l'utilisation.
3. Une panne provoquée par négligence ou inattention.
4. Une panne provoquée par le non-respect des instructions d'utilisation de l'appareil.
5. Une panne résultant d'un fonctionnement non prévu de l'appareil.

### TYPE D'APPAREIL- COORDONNÉES DE PRODUCTION

Pour que la garantie soit valide, vous devez noter le numéro de série du produit.



Nom et prénom

Date d'achat du produit

Numéro de série

Lieu/magasin d'achat

**NORD INOX**

151 Rue Simon Volland  
59832 Lambersart  
FRANCE

**NORD INOX**  
151 Rue Simon Vollant  
59832 Lambersart  
FRANCE

174000115 06/23 E01