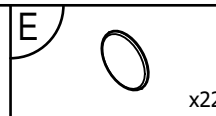
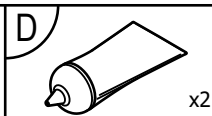
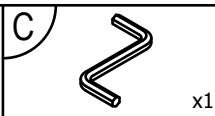
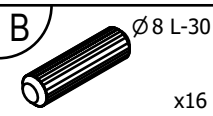
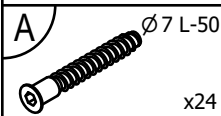
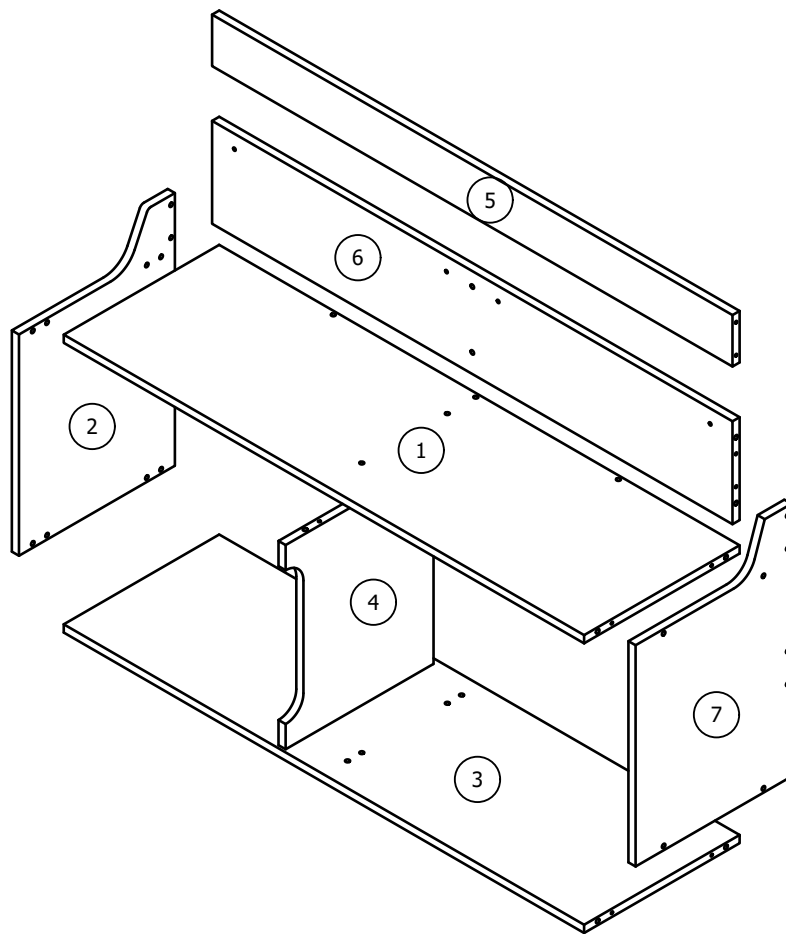
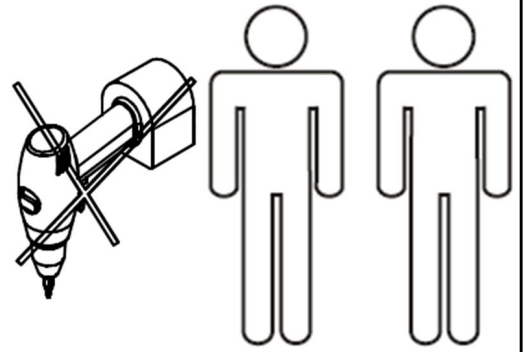
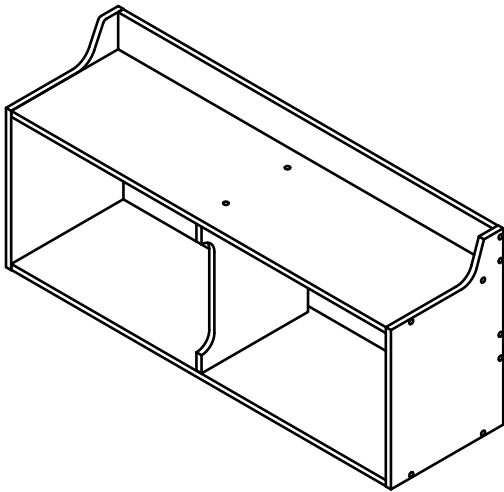
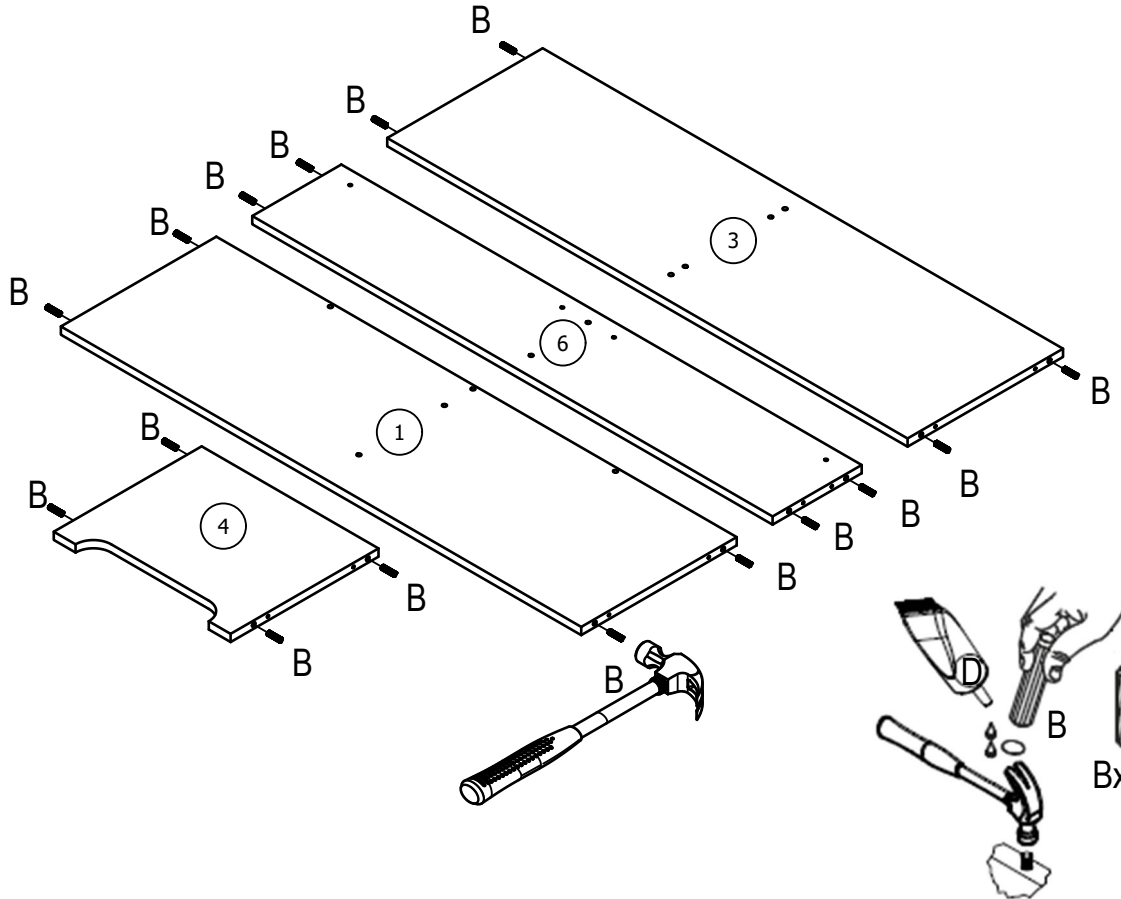




Wall Storage

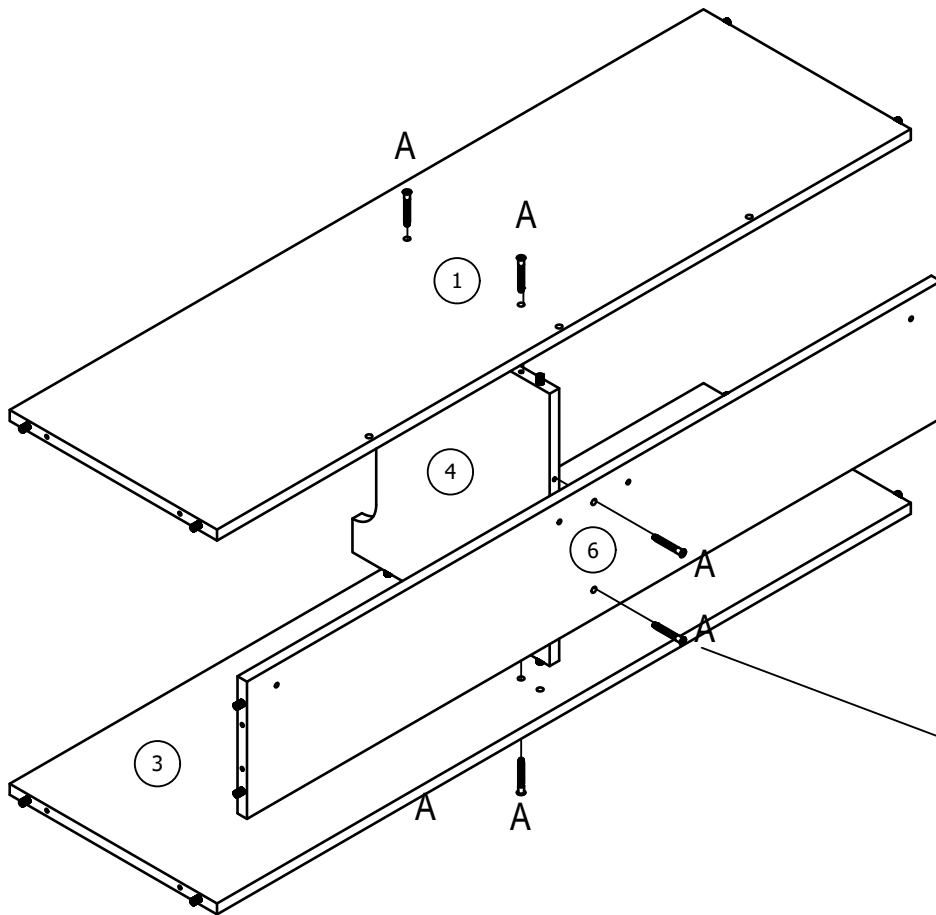




4.

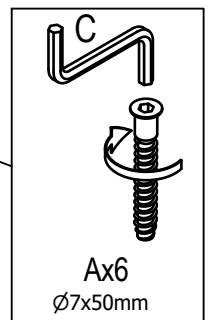


B	D
	
16	

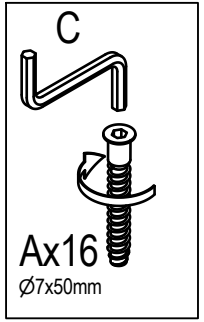
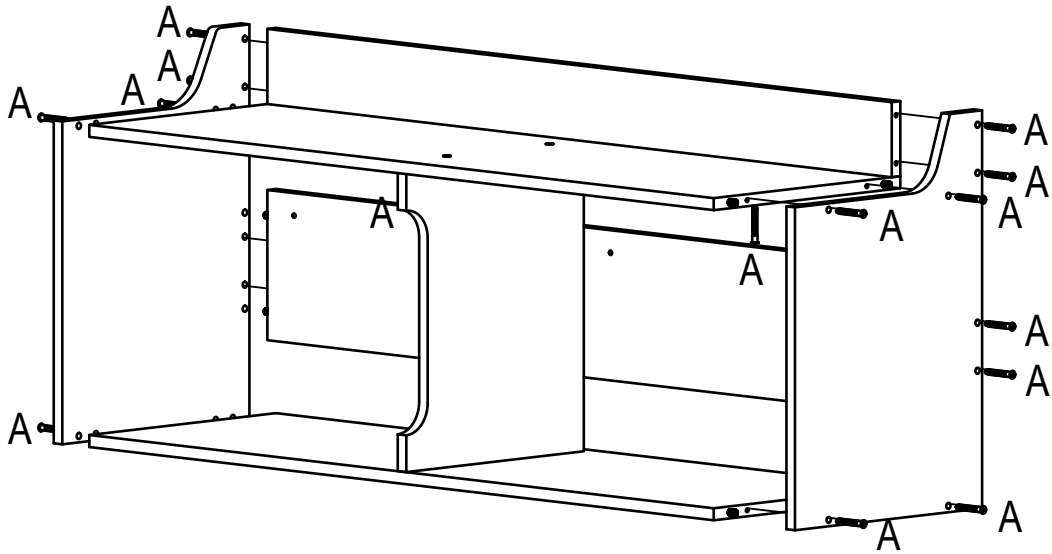
5.





A	B
	
6	1

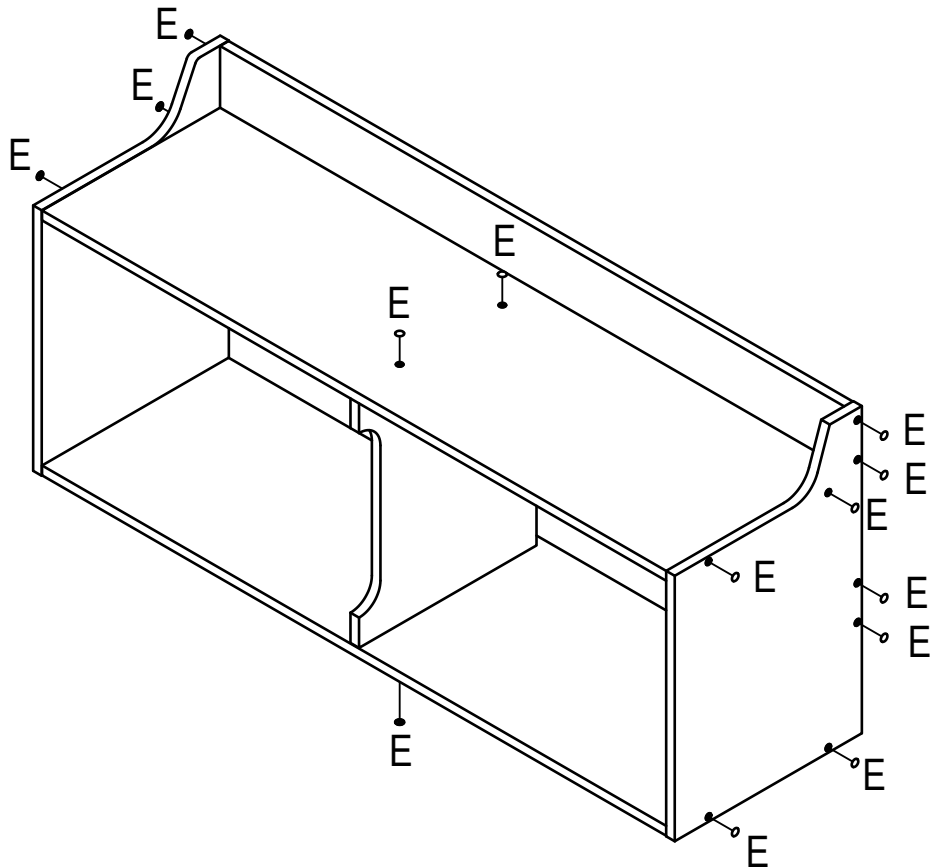



6.



A	C
	
16	1

7.



E

22